

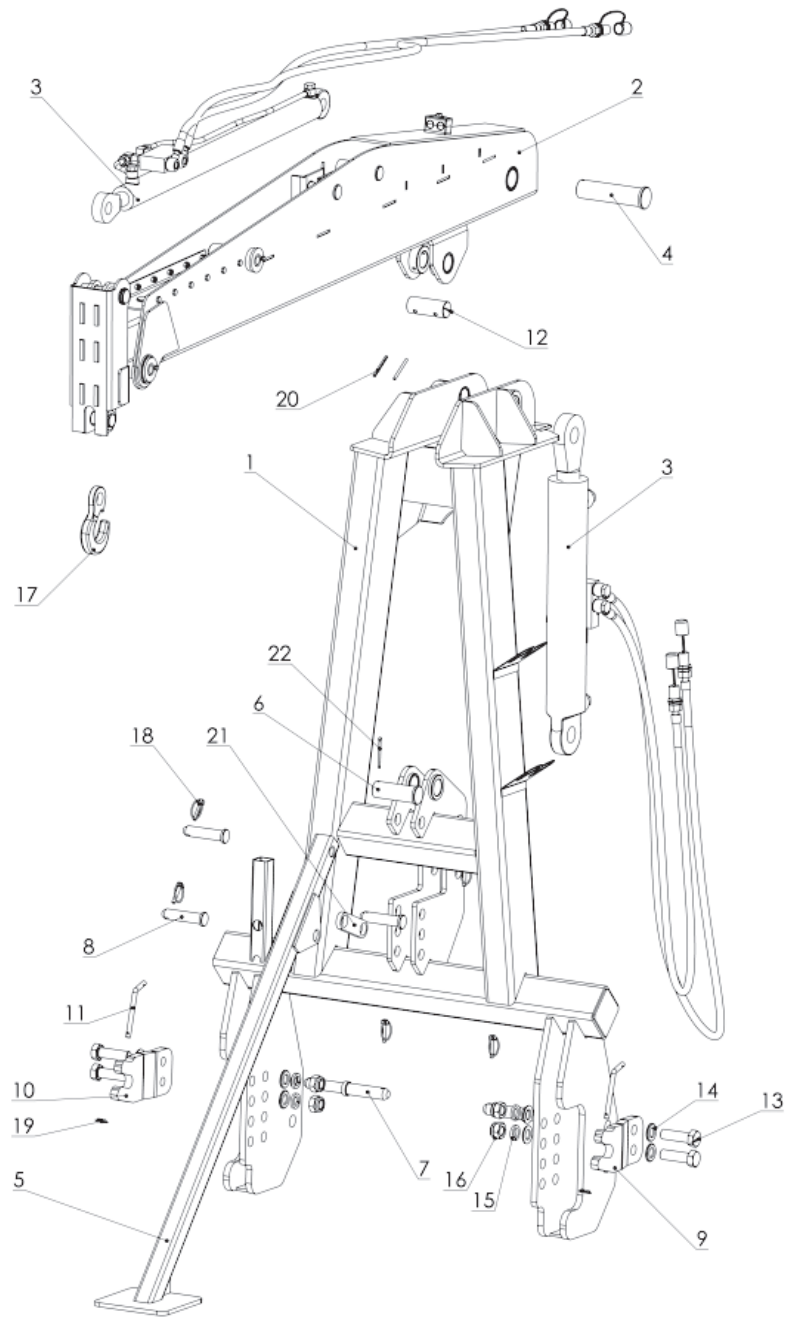
Spare parts catalogue



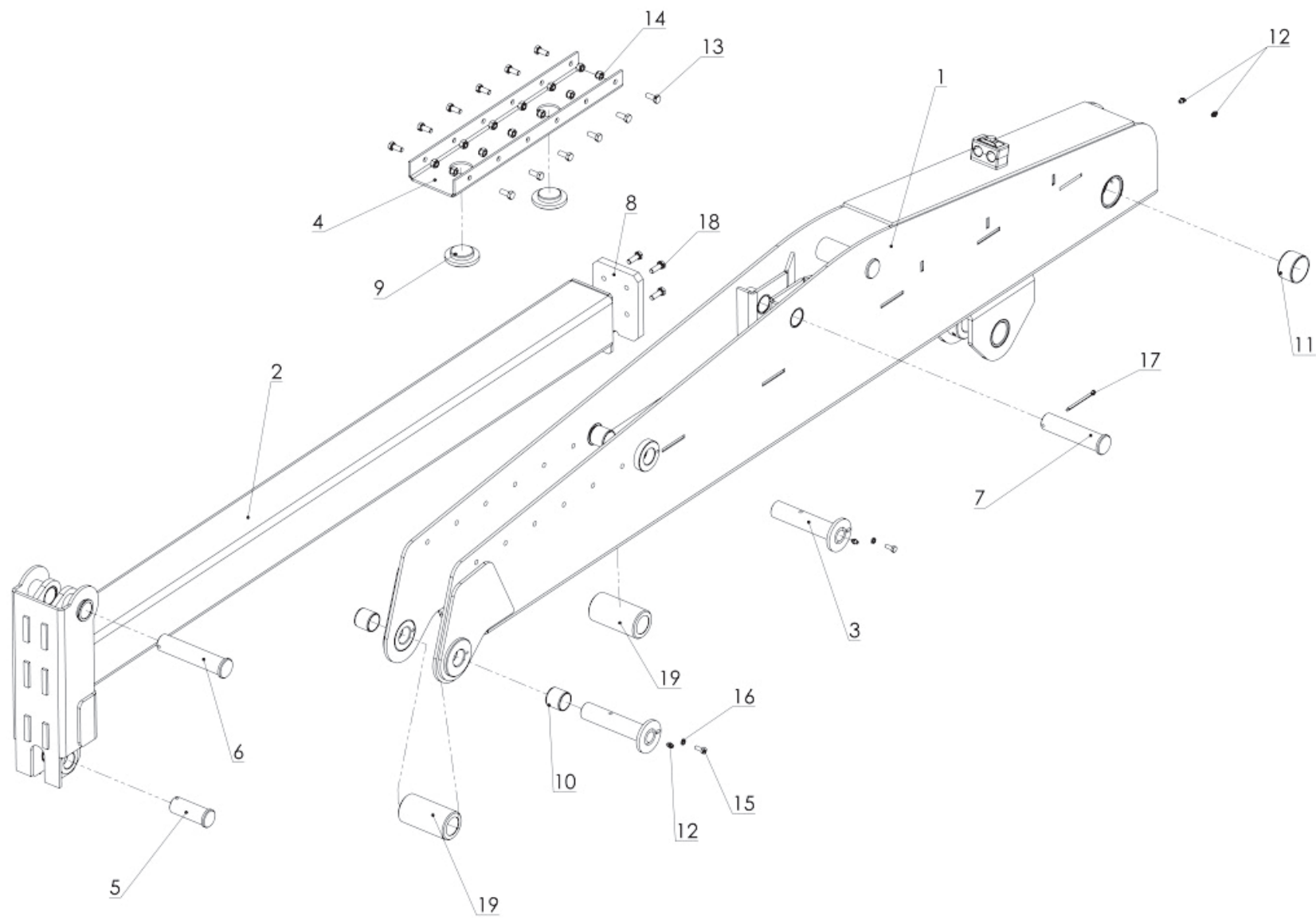
Edition no. 01
Year of issue: 2012



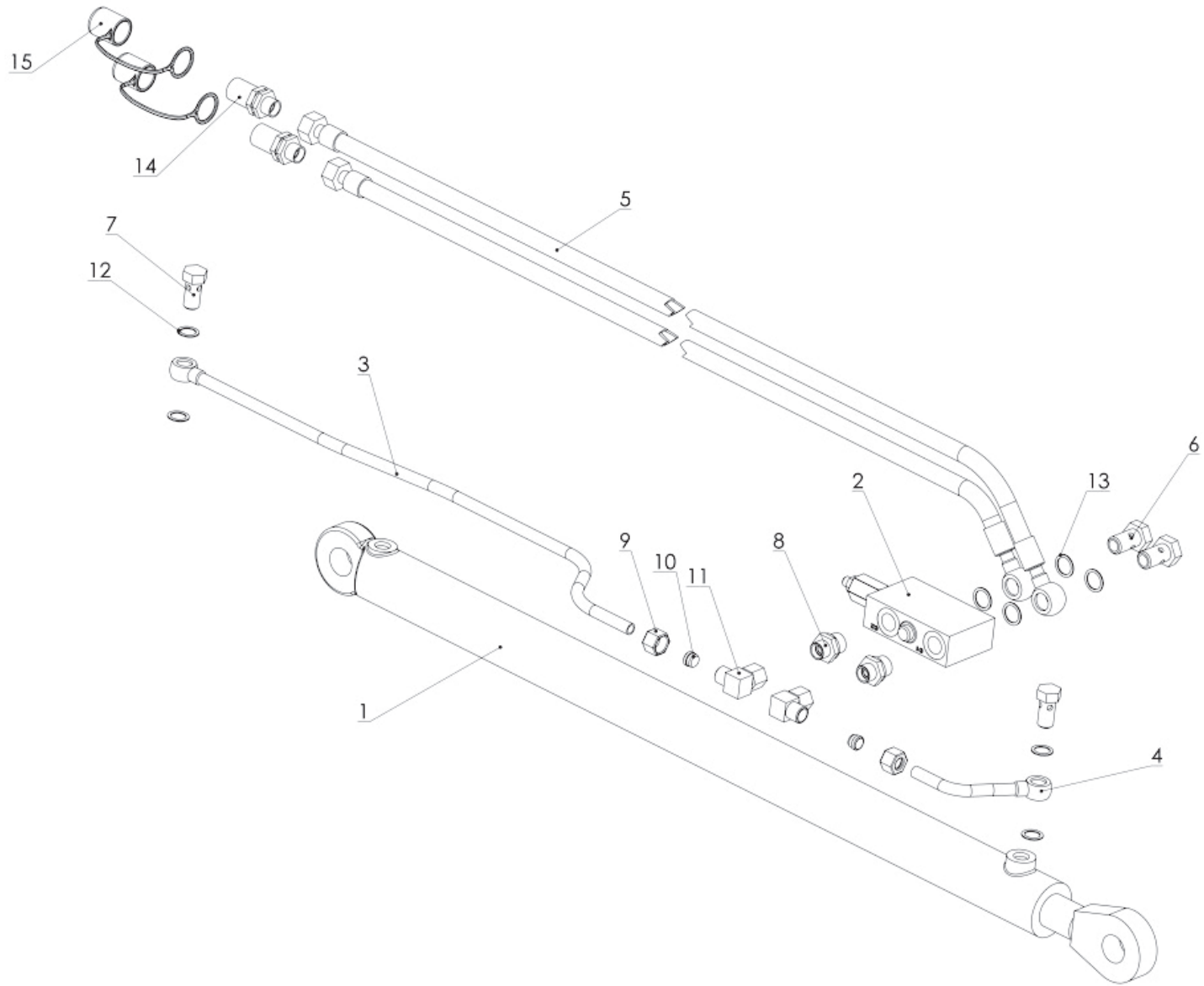
Parts catalogue: T466 BIG-BAG fertiliser suspended loader



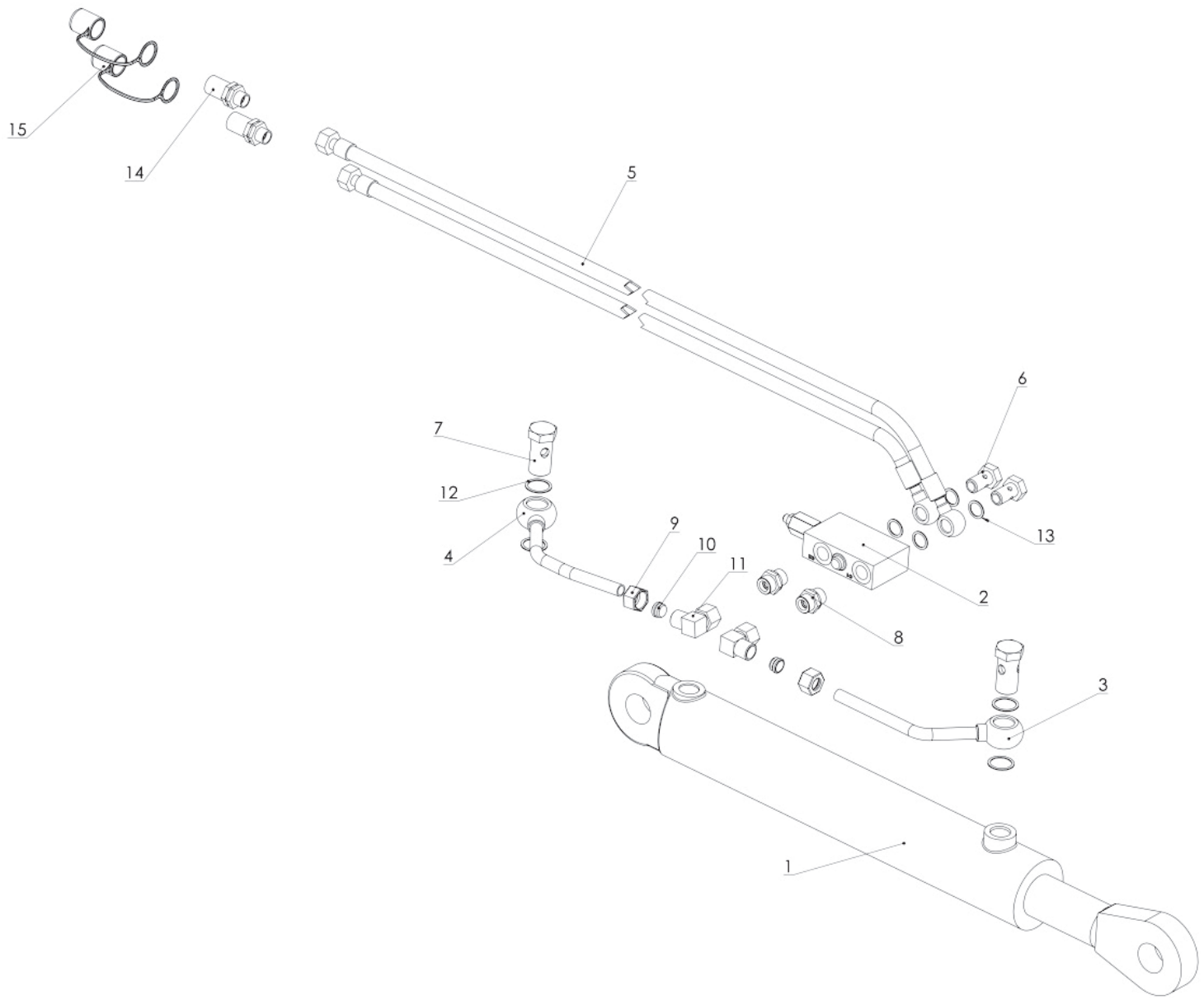
No. in dwg	Name of assembly or part	Drawing No. or standard	Quantity
1	Support frame	T466 01.00.00	1
2	Upper arm, set	T466 02.00.00	1
3	Hydraulic actuators assembly	T466 03.00.00	1
4	Upper arm pivot	T466 00.00.01	1
5	Support assembly	T466 04.00.00	1
6	Lift actuator pin	T466 00.00.02	1
7	Crane TPH pin	T466 00.00.04	3
8	Spreader TPH pin	T466 00.00.03	3
9	Holder I	T466 00.00.05	1
10	Holder II	T466 00.00.06	1
11	Pin	T466 00.00.07	2
12	Lift actuator pin	T466 00.00.08	1
13	Bolt, M24x80	POD-ELZ-000470	4
14	Plain washer, Ø24	23P24OC	8
15	Spring washer, Ø24	23P24SOC	4
16	Self-locking nut, M24	POD-ELZ-000399	4
17	Hook	POD-ELZ-000582	1
18	Cotter pin, 8x45	23PR8	6
19	Cotter pin w/ring, 4.5	POD-ELZ-000444	2
20	Spring pin, 6x70 DIN 1481	POD-ELZ-000611	2
21	Sheet panel	T466 05.00.01	1
22	Cotter pin, 6.3x63	23Z6/63	4



No. in dwg	Name of assembly or part	Drawing No. or standard	Quantity
1	Upper arm – weldment	T466 02.01.00	1
2	Extended arm	T466 02.02.00	1
3	Roller pin assembly	T466 02.03.00	2
4	Cover	T466 02.00.02	2
5	Hook pin	T466 02.00.03	1
6	Extension actuator B pin	T466 02.00.07	1
7	Extension actuator A pin	T466 02.00.04	1
8	Slider	T466 02.00.05	1
9	Slide	T466 02.00.06	2
10	Slide bushing, PM303DX	PM3030DX	4
11	Slide bushing, PM4530DX	PM4530DX	2
12	Straight grease nipple, M6x1.0	23SM	4
13	Bolt, M8x20	23S8/20OC 8.8	12
14	Self-retaining nut, M8	23NS8OC	12
15	Bolt, M6x16 galv. 8.8	23S6/16 8.8OC	2
16	Spring washer, M6	23P6SPOC	2
17	Cotter pin, 6.3x63 galv.	23Z6/63	2
18	Bolt, M8x25 galv. 8.8	23S8/25OC8.8	6
19	Roller	T466 02.00.01	2



No. in dwg	Name of assembly or part	Drawing No. or standard	Quantity
1	Hydraulic actuator	POD-HSL-000089	1
2	Controlled braking valve	ZHB10-12	1
3	Pipe I	T466 03.00.01	1
4	Pipe II	T466 03.00.02	1
5	Hydraulic line	RNRA/2 1/10 L-3700 RNR 1/2"	2
6	Hydraulic eye bolt, G1/2"	24SO1/2"	2
7	Hydraulic eye bolt, M16x1.5	24SO16/1.5	2
8	Straight connector, G1'2"x18x1.5	24KP1/2 18	2
9	Nut, M18x1.5	POD-ELZ-000410	2
10	Stopping ring, diam. 12	24PZ	2
11	Elbow female union piece, 18x1.5/18x1.5	24KZ18/18	2
12	Washer, PPM 1'2"	POD-HPZ-000044-1	4
13	Washer, PPM 16	24U16	4
14	Euro plug, M18	24ZWE13-M18X1.5	2
15	Euro plug valve cap, 13	24ZWNE13	2



No. in dwg	Name of assembly or part	Drawing No. or standard	Quantity
1	Hydraulic actuator	POD-HSL-000090	1
2	Controlled braking valve	ZHB10-12	1
3	Pipe III	T466 03.00.03	1
4	Pipe IV	T466 03.00.04	1
5	Hydraulic line	RNRA/2 1/10 L-1500 RNR 1/2"	2
6	Hydraulic eye bolt, G1/2"	24SO1/2"	2
7	Hydraulic eye bolt, M16x1.5	24SO16/1.5	2
8	Straight connector, G1'2"x18x1.5	24KP1/2 18	2
9	Nut, M18x1.5	POD-ELZ-000410	2
10	Stopping ring, diam. 12	24PZ	2
11	Elbow female union piece, 18x1.5/18x1.5	24KZ18/18	2
12	Washer, PPM 1'2"	POD-HPZ-000044-1	4
13	Washer, PPM 16	24U16	4
14	Euro plug, M18	24ZWE13-M18X1.5	2
15	Euro plug valve cap, 13	24ZWNE13	2